



MADE IN MALAYSIA

The Better Connections to Your World

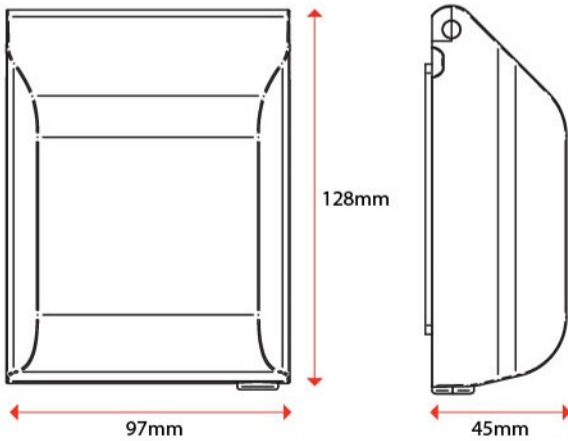


## WEATHERPROOF COVERS

*Quality & Reliable*

**United MS Electrical Mfg (M) Sdn Bhd** has over the years earned a reputation for the high standard of its **quality products**. Today, its range of electrical products are manufactured to meet an increasing demand from both the industrial and residential sectors. The consistent quality of these products speak for itself. It is not just well accepted in Malaysia but are exported to over 20 countries **worldwide**. At **UMS**, we will continue to focus our strength in electrical devices by channeling more resources for R&D to create even more superior products in terms of quality, better features and design...to **stay ahead**.

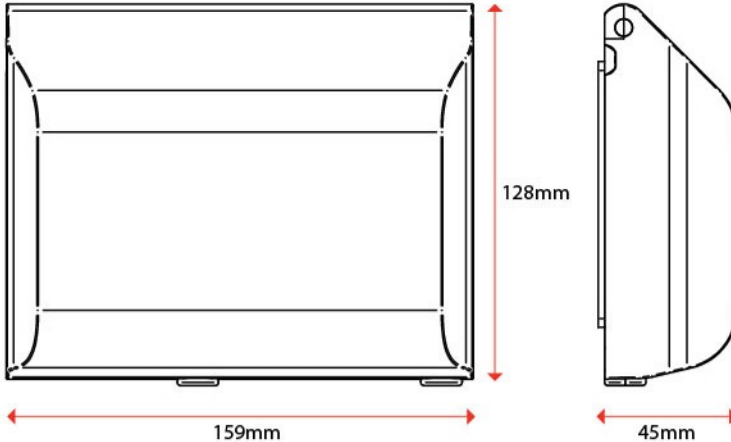
# WP100



## 1G Weatherproof Cover

Compliance	: IEC60529, BS5733
IP Rating	: IP54
Origin	: Made in Malaysia
Quantity	: 80pcs/ctn

# WP200



## 2G Weatherproof Cover

Compliance	: IEC60529, BS5733
IP Rating	: IP54
Origin	: Made in Malaysia
Quantity	: 50pcs/ctn



Manufactured by:  
**UNITED MS ELECTRICAL MFG (M) SDN. BHD.** (65814-V)

LOT 5, BATU 17 1/2, JALAN IPOH,  
RAWANG INDUSTRIAL ESTATE,  
48000 RAWANG, SELANGOR,  
MALAYSIA.

**Tel** : +603-6091 2202 / 4146 / 4341  
**Fax** : +603-6091 2323  
**Email** : enquiry@unitedms.com.my  
**Website** : www.unitedms.com.my

