



MADE IN MALAYSIA

The Better Connections to Your World



ISOLATOR

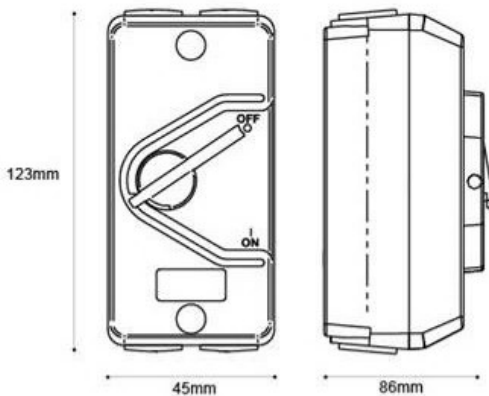
Quality & Reliable

United MS Electrical Mfg (M) Sdn Bhd has over the years earned a reputation for the high standard of its **quality products**. Today, its range of electrical products are manufactured to meet an increasing demand from both the industrial and residential sectors. The consistent quality of these products speak for itself. It is not just well accepted in Malaysia but are exported to over 20 countries **worldwide**. At **UMS**, we will continue to focus our strength in electrical devices by channeling more resources for R&D to create even more superior products in terms of quality, better features and design...to **stay ahead**.

ISOLATOR SWITCH

Comply to Std Ref : BS EN60947-3, IEC60947-3

| IP66 | | Description | Qty/Ctn |
|----------|---------|--|---------|
| AC22A | AC23A | | |
| ISW20-2B | ISW20-2 | 20A 2 Pole Single Phase Isolator Switch - IP66, AC22 | 20 |
| ISW32-2B | ISW32-2 | 32A 2 Pole Single Phase Isolator Switch - IP66, AC22 | 20 |
| ISW40-2B | ISW40-2 | 40A 2 Pole Single Phase Isolator Switch - IP66, AC22 | 20 |
| ISW63-2B | ISW63-2 | 63A 2 Pole Single Phase Isolator Switch - IP66, AC22 | 20 |
| ISW20-3B | ISW20-3 | 20A 3 Pole 3 Phase Isolator Switch - IP66, AC22 | 20 |
| ISW32-3B | ISW32-3 | 32A 3 Pole 3 Phase Isolator Switch - IP66, AC22 | 20 |
| ISW40-3B | ISW40-3 | 40A 3 Pole 3 Phase Isolator Switch - IP66, AC22 | 20 |
| ISW63-3B | ISW63-3 | 63A 3 Pole 3 Phase Isolator Switch - IP66, AC22 | 20 |
| ISW20-4B | ISW20-4 | 20A 3 Pole + Neutral, 3 Phase Isolator Switch - IP66, AC22 | 20 |
| ISW32-4B | ISW32-4 | 32A 3 Pole + Neutral, 3 Phase Isolator Switch - IP66, AC22 | 20 |
| ISW40-4B | ISW40-4 | 40A 3 Pole + Neutral, 3 Phase Isolator Switch - IP66, AC22 | 20 |
| ISW63-4B | ISW63-4 | 63A 3 Pole + Neutral, 3 Phase Isolator Switch -IP66, AC22 | 20 |



Features

Built to withstand extreme industrial 20 environments. Dust and water proof (IP66 rating), featuring gasket seals and made from high impact resistant and flame retarding materials.

Certified to provide uninterrupted duty. Study rotary operation ON/ 20 OFF lever. Pad-lockable in the OFF position (using padlock with 6mm dia. Shank) for safety purpose.

Supplied with 2 nos. 25mm (M23 - M20) reducer glands for expanded connectively and 4 nos. mounting screw caps.

Installation Instructions

1. Disconnect the incoming supply to the unit prior to maintenance/installation of the switch-disconnector.
2. Necessary precautions must be observed to maintain the IP66 rating requirement of the unit.
Hole caps are provided for the unit mounting screws and the cover enclosure mounting screws.
Conduit entry hole caps, reducer gland and conduit mounted on unit during the installation should either be taped with thread tape seal or sealed with silicon sealant or fix with o-ring to maintain the IP66 rating
3. Total current and ratings of unit must not be exceeded.
4. Terminal screws must be tightened as per table above.
5. Ensure that the switch actuator is in the 'OFF' position and the switch lever of cover enclosure is positioned in the 'OFF' / 'O' position when mounting the cover enclosure.
6. The 7mm \varnothing hole on the rib adjacent to the switch lever is to provide locking facility of the switch lever in the 'OFF' position with padlock with shank diameter of 6 mm.



Manufactured by :
UNITED MS ELECTRICAL MFG (M) SDN. BHD. (65814-V)
 LOT 5, BATU 17 1/2, JALAN IPOH,
 RAWANG INDUSTRIAL ESTATE,
 48000 RAWANG, SELANGOR,
 MALAYSIA.



Tel : +603-6091 2202 / 4146 / 4341
 Fax : +603-6091 2323
 Email : enquiry@unitedms.com.my
 Website : www.ums-neiken.com



MADE IN MALAYSIA



MALAYSIA



Suruhanjaya Tenaga